

PART NUMBER: CMS0401KL-1X

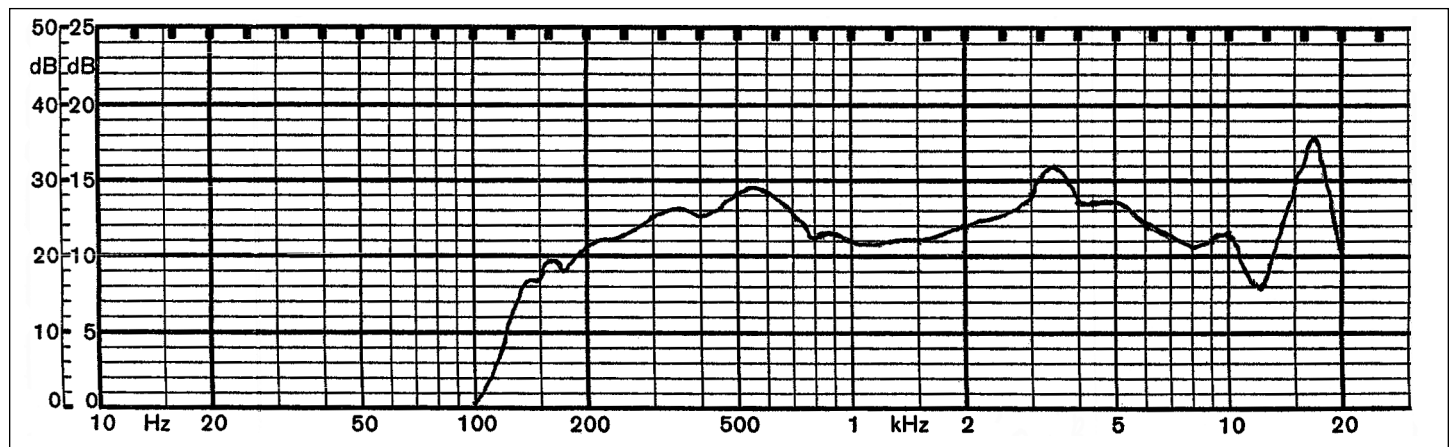
DESCRIPTION: speaker

SPECIFICATIONS

nominal size	40.1 x 40.1 x 14.5 mm		
impedance	8 Ohm \pm 15%	at	1 kHz 1 V
resonant frequency	270 Hz \pm 54 Hz	at	1 V
sound pressure level	86 dB/W \pm 3 dB	1 W 50 cm ave. at	0.4 k, 0.5 k, 0.6 k, 0.8 kHz
response	Fo Hz ~ 20 kHz max 10 dB		
input power	nominal 4 W	handling capacity	6 W
operation	must be normal at program source 4 W		
buzz, rattle, etc.	must be normal at sine wave 5.67 V		
magnet	size: 24.6 x 3.5 mm		
load test	white noise 4 W	for	24 hours
heat test	65 \pm 2° C	20-50% R.H.	24 hours
humidity test	40 \pm 2° C	90-95% R.H.	24 hours

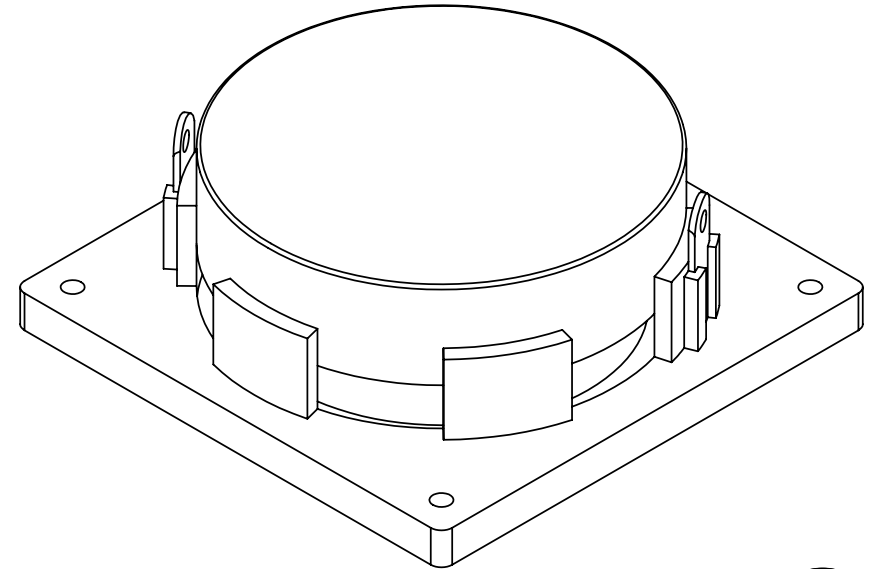
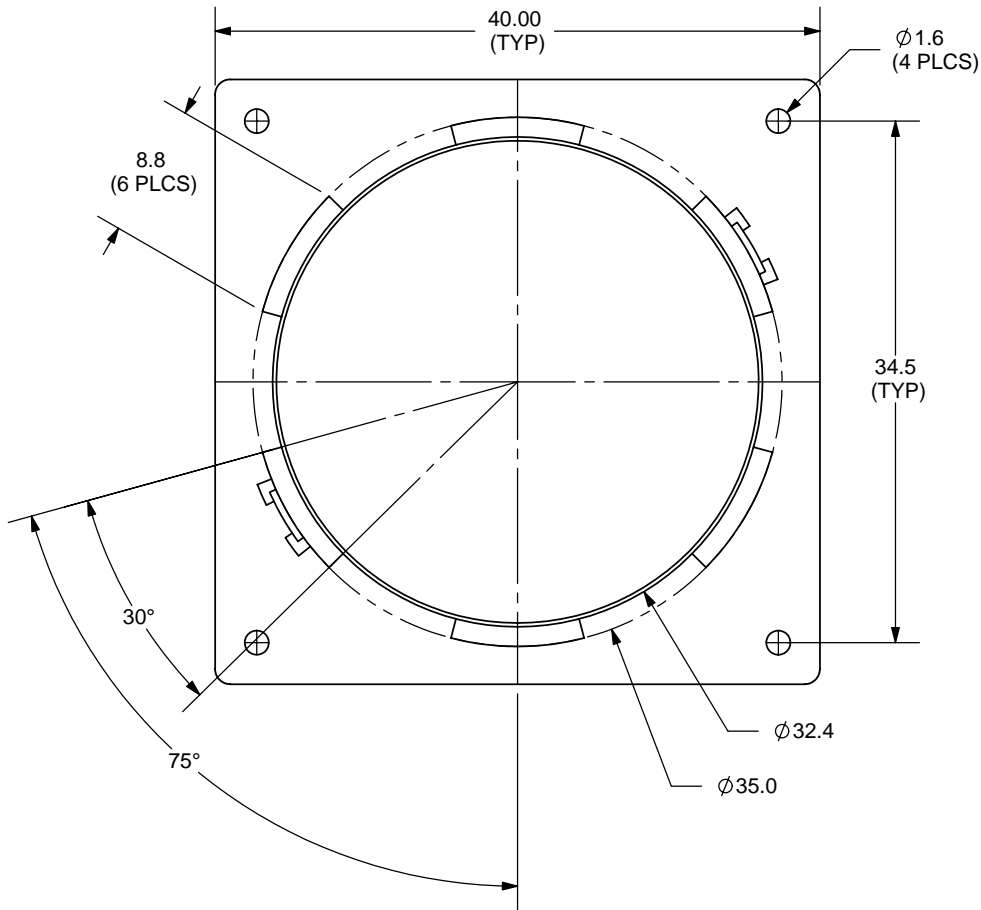
FREQUENCY RESPONSE CURVE

potentiometer range	50 dB
rectifier	RMS
lower limit frequency	20 Hz
wr. speed	100 mm/sec

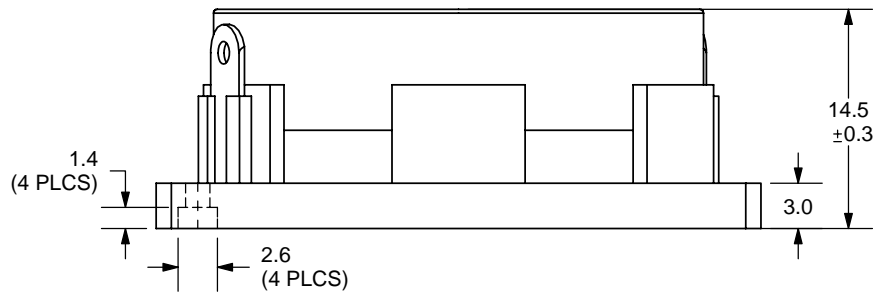


zero level 60 dB

REV.	DESCRIPTION	DATE
A	NEW DRAWING	10/2/2006



TOLERANCE:
±0.2mm UNLESS OTHERWISE
SPECIFIED



20050 SW 112th Ave.
Tualatin, OR 97062
Phone: 503-643-4899
800-275-4899
Fax: 503-372-1266
Website: www.cui.com

TITLE: MINIATURE MONITOR SPEAKER		REV: A
PART NO. CMS0401KL-1X	UNITS: MM [INCHES]	
DRAWN BY: ZRJ	APPROVED BY:	SCALE: 2:1

PC FILE NAME:
CMS0401KL-1X

COPYRIGHT 2006 BY CUI INC.